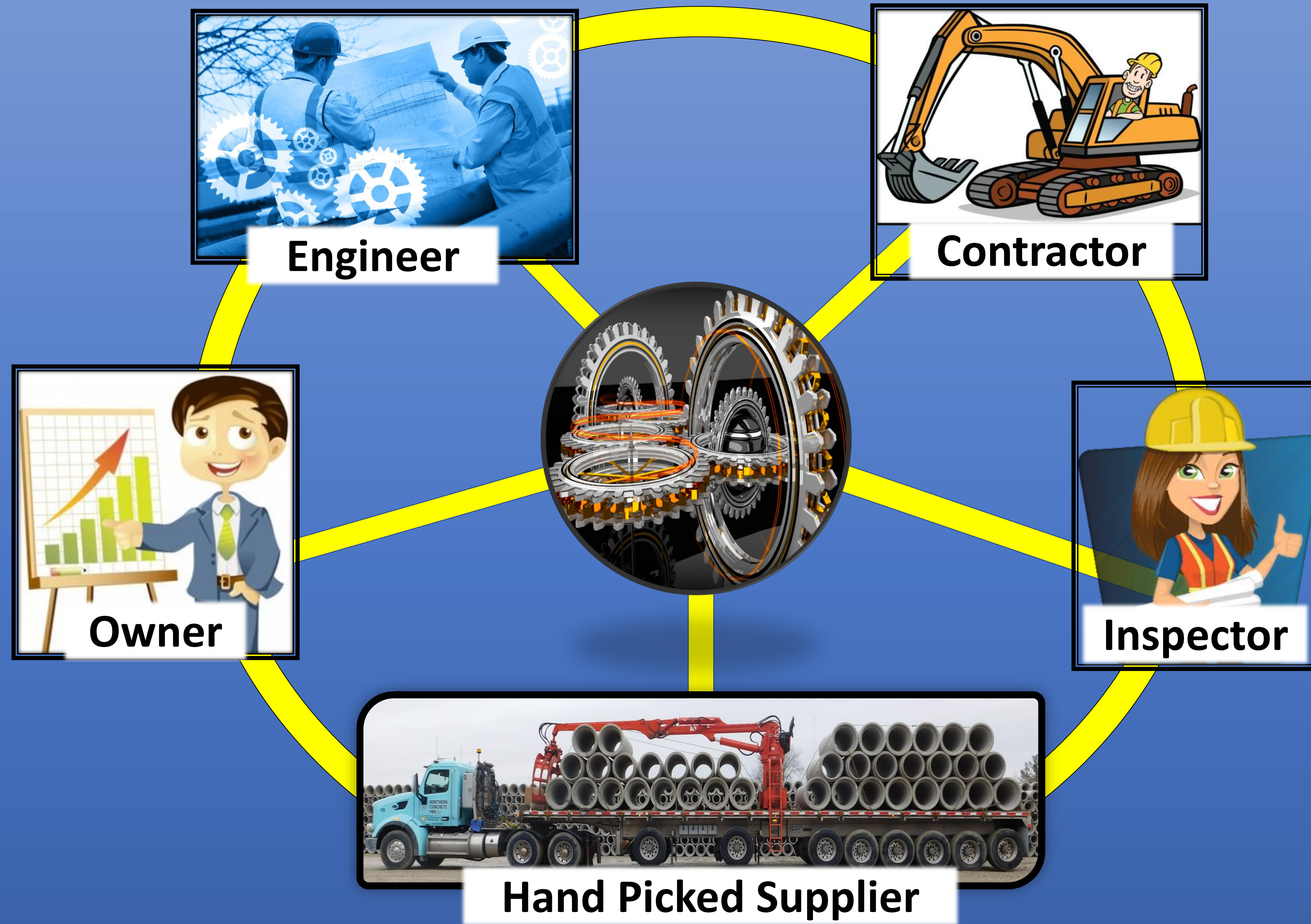
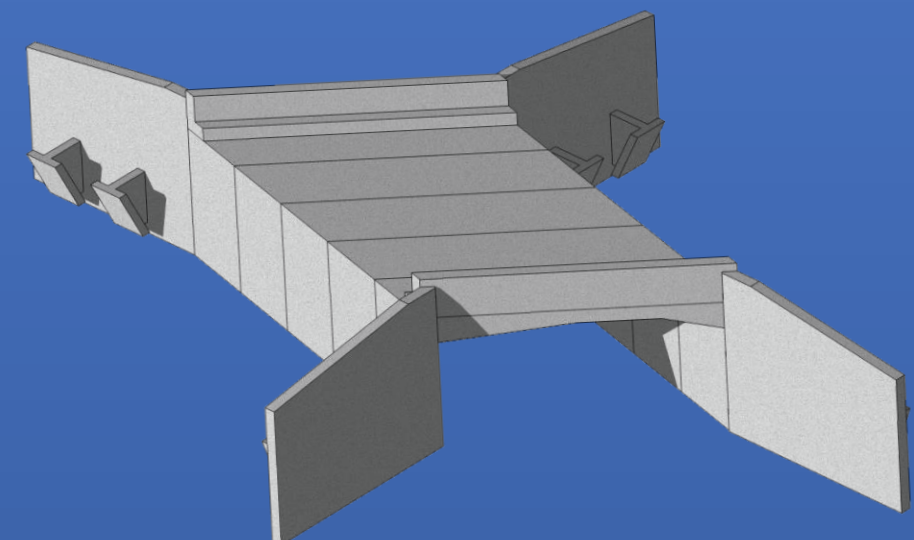
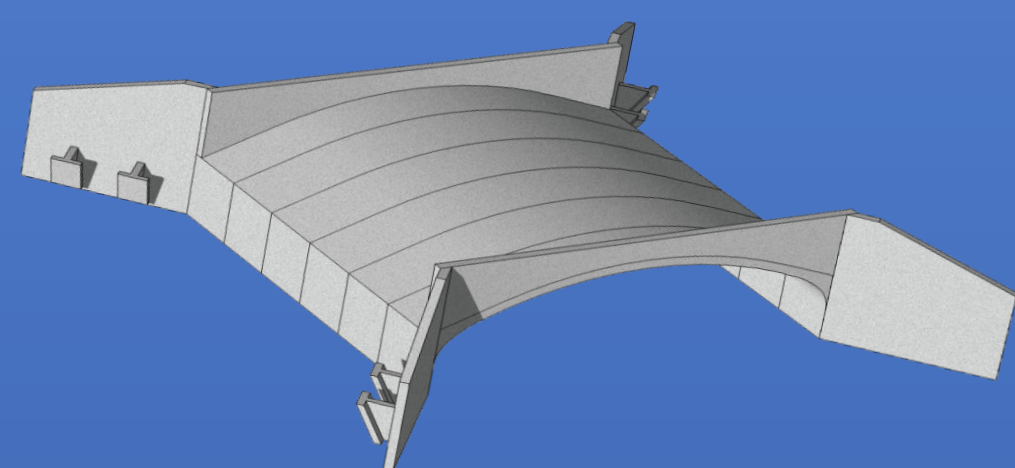
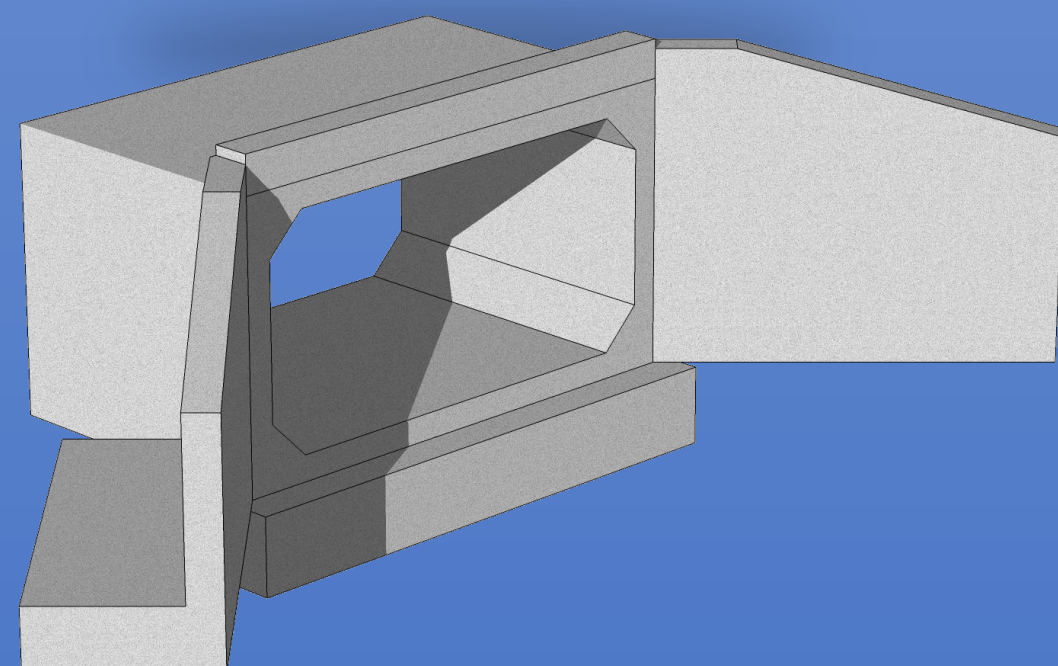
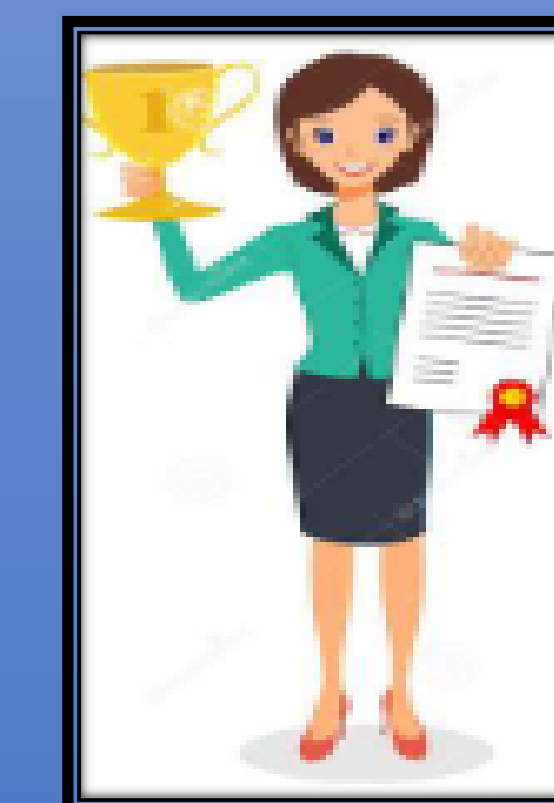


We are All in this Together!



**Award Winning
Projects!**



Everyone plays a vital role in the Success of Your project!
Precast = the Best Long-Term Investment for Your New Project, or Ailing Infrastructure!

Specify Durable-Reliable Precast Concrete Products

